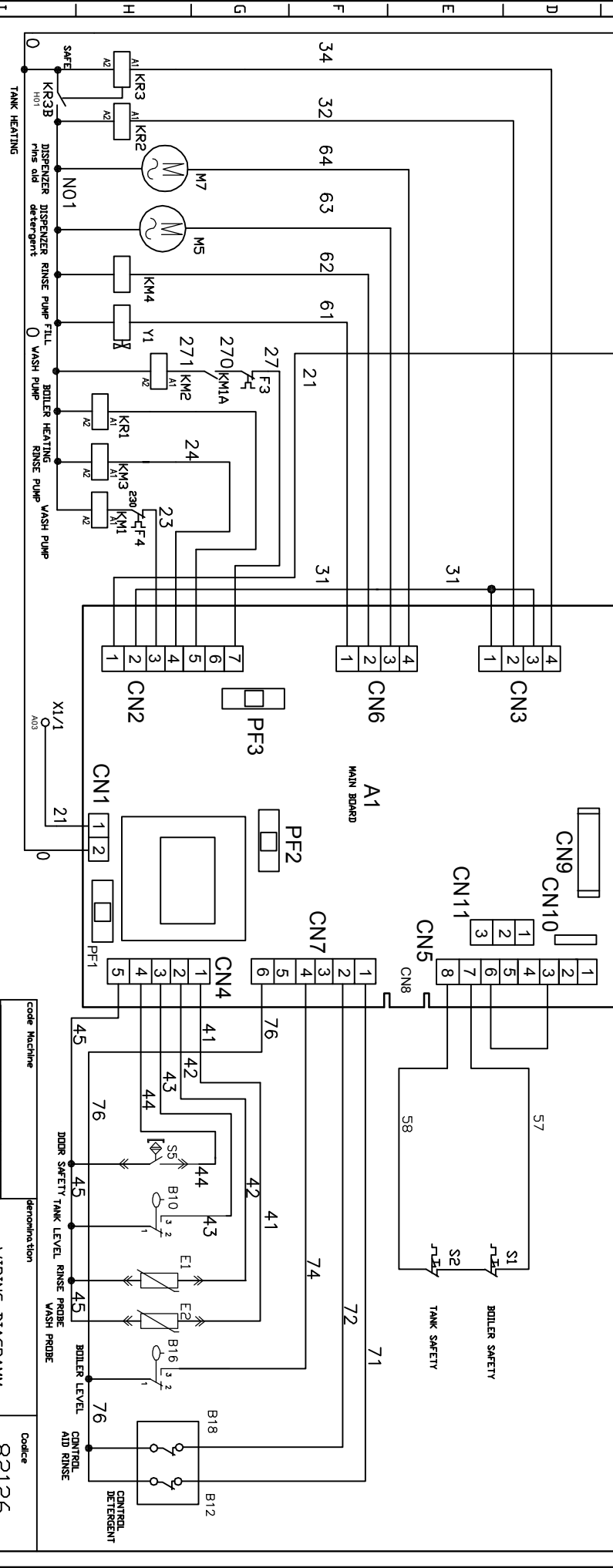
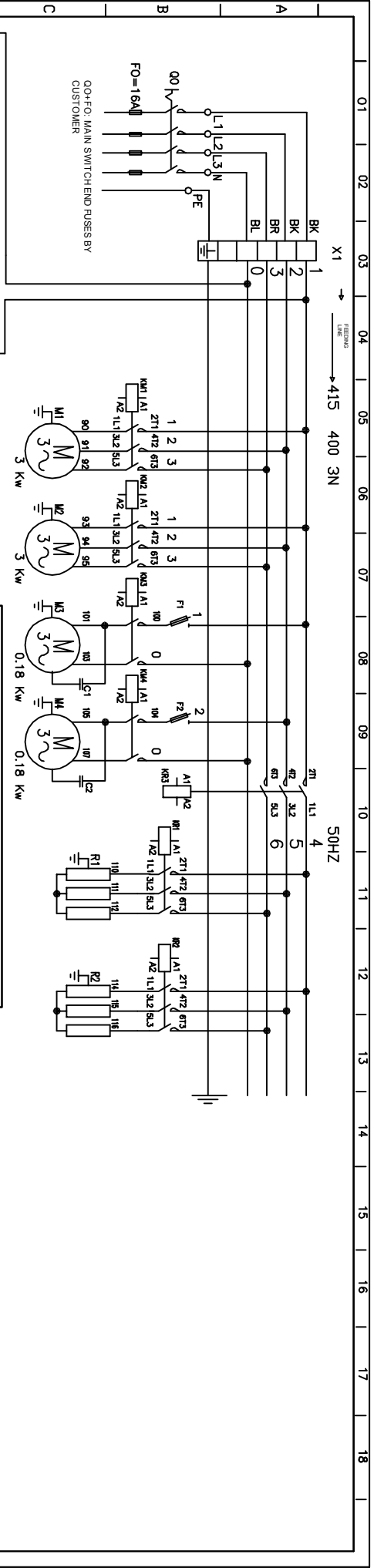


**2250/C**

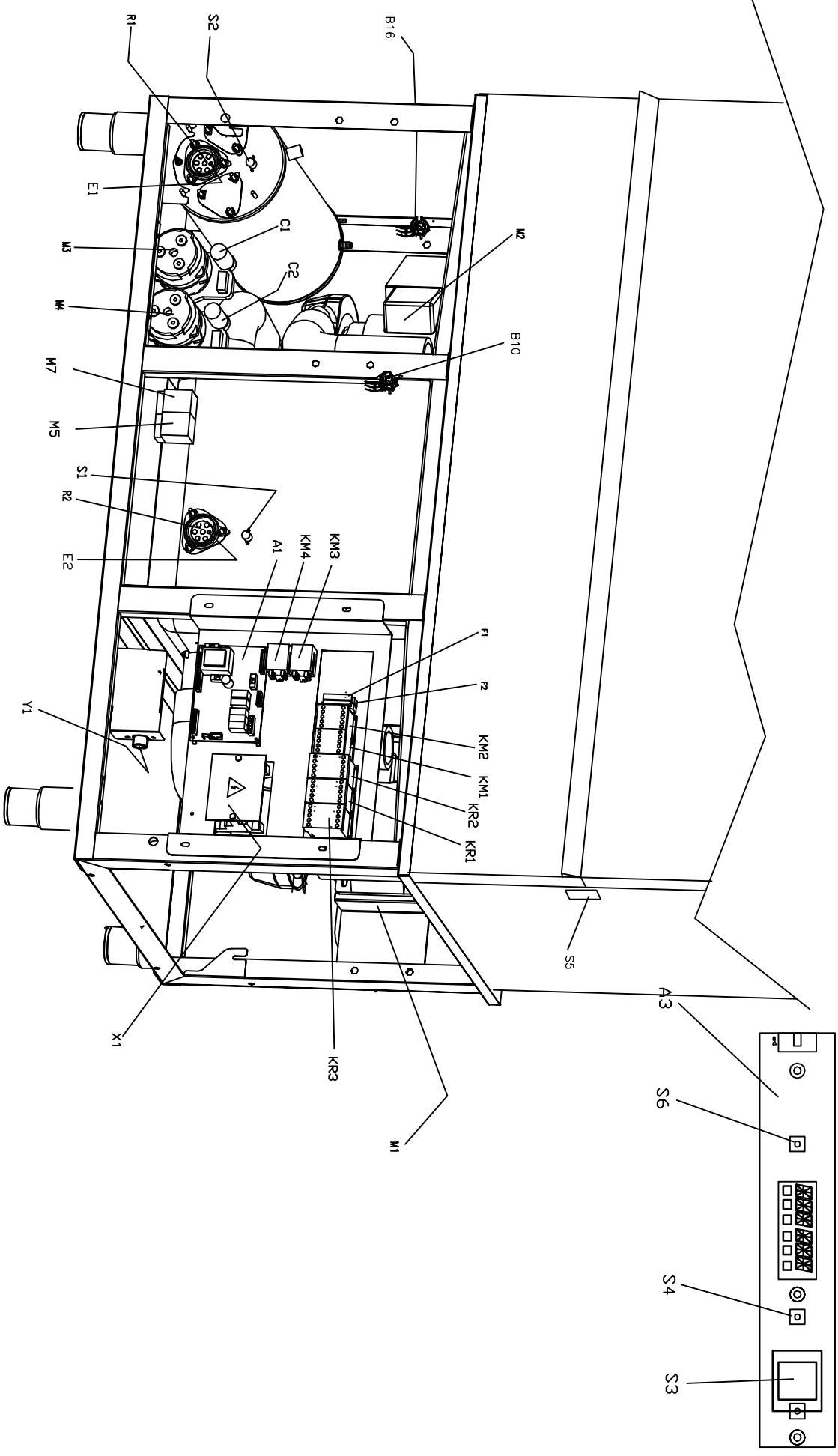
1

2



DESCRIZIONE	X1 A03		SUBSTITUISCE	DATA
-3	-2		VALIDATED BY	DATE
Code Machine		Inspected by		Inspected date
82126		03/09/08		
WIRING DIAGRAM		Dishwashers		
Code		Total Bldg		N° Bldg
82126		3		2
n°/file		Next Bldg		
82126		-3		
mod				





DESCRIZIONE

SOSTITUISCIE

DATA

Code Machine		denomination		Codice	
re-examined	date/date	WIRING DIAGRAM		82126	
03/09/08	date/date	Dispatchers		n°/file	
3	total date	2		82126L	
3	total date	-3		---	
3	total date	-		---	

	01	02	03	04	05	06	07	08	09	10	11	12	13	14	15	16	17	18
A	S6	PULSANTE DI LINEA	INTERRUPTEUR DE LIGNE															
	S5	MAIN SWITCH	NETZSCHALTER															
	S5	MICROINTERUTTORE MAGNETICO	MICROINTERUTEUR MAGNETIQUE															
	S5	MAGNETIC SAFETY MICROSWITCH	MAGNETISCHER SICHERITTSCHALTER															
	S3	INTERUTTORE DI CICLO	INTERUTEUR DE DEMARRAGE															
	S3	CYCLE SWITCH	WASCHVORGANGSSCHALTER															
	S4	SELETORE CICLO	SELECTEUR CYCLE															
	S4	CYCLE COMMUTATOR	WAELSCHALTER FÜR WASCHVORGANGSDAUER															
	S1	TENOSTATO SICUREZZA VASCA	THERMOSTAT DE SÛRITIE CUVE															
	S1	SAFETY BOOSTER HEATER THERMOSTAT	THERMOSTAT DE SÛRITIE DU BOYLER															
	S1	SAFETY BOOSTER HEATER THERMOSTAT	SICHERHEITZUNG															
	S2	TENOSTATO SICUREZZA VASCA	THERMOSTAT DE SÛRITIE CUVE															
	S2	SAFETY TANK HEATER THERMOSTAT	SICHERHEITSTANKTHERMOSTAT															
	R2	RESISTENZA VASCA LAVAGGIO	RESISTANCE CUVE DE LAVAGE															
	R2	WASH TANK HEATING ELEMENT	WASCHTANKHEIZUNG															
	R1	RESISTENZA BOILER	RESISTANCE BOYLER															
	R1	BOOSTER HEATER HEATING ELEMENT	BOILERHEIZUNG															
	M7	ELETTRODOSATORE TENSIOLATTIVO	DOSEUR EL. PRODUIT RINÇAGE															
	M7	EL. RINSE/AD INJECTOR	NACHSPUELMITELDOSIERGERAET															
	M6	ELETTROPOMPA DI SCARICO	MOTEUR POMPE VIDANGE															
	M6	DRAIN PUMP	MOTOR LAUGENPUMPE															
	M3	ELETTROPOMPA AUMENTO PRESSIONE	ELECTROPOMPE AUGMENT PRESSION															
	M4	RINSE BOOSTER PUMP	DRUCKSTUERUNGSPUMPE															
	M5	ELETTRODOSATORE DETERGIVO	DOSEUR EL. DETERGERENT															
	M5	EL. DETERGENT INJECTOR	SPEL. MITELDOSIERGERAET															
	M1	ELETTROPOMPA LAVAGGIO	ELECTROPOMPE LAVAGE															
	M1	WASH ELECTRIC PUMP	ELEKTRISCHE UMWELTPUMPE															
	KR3	TELEUTTORE SICUREZZA RESISTENZA BOILER	CONTACTEUR RESISTANCE BOYLER															
	KR3	SAFETY BOOSTER HEATER CONTACTOR	CONTACTEUR RESISTANCE BOYLER															
	KR2	TELEUTTORE RESISTENZA VASCA	LUFTSCHLETZ F. BOILERHEIZUNG															
	KR2	TANK HEATER CONTACTOR	CONTACTEUR RESISTANCE BOYLER															
	KR1	TELEUTTORE RESISTENZA BOILER	LUFTSCHLETZ F. BOILERHEIZUNG															
	KR1	BOOSTER HEATER CONTACTOR	CONTACTEUR RESISTANCE BOYLER															
	KM1	TELEUTTORE ELETTROPOMPA LAVAGGIO	SCHLETZ F. UMWELTPUMPE															
	KM2	WASCH PUMP CONTACTEUR	SCHLETZ F. UMWELTPUMPE															
	KM3	TELEUTTORE ELETTROPOMPA RISCACQUO																
	KM4	RINSE PUMP CONTACTEUR																
	Y1	ELETTROVALVOIA RISCACQUO	ELECTROVANNE DE RINÇAGE															
	Y1	RINSE SOLENOID VALVE	MANOMETENT FÜR NACHSPUELUUNG															
	R/M	PROTEZIONE TERMICA ELETTROPOMPA	PROT. THERMIQUE MOTEUR EL. POMPE															
	R/M	EL. WASH PUMP THERMAL PROTECTION	THERMISHER MOTORSCHLETZ															
	F/H	FUSIBILE	FUSIBLE															
F	E2	SONDA CONTROLLO VASCA	THERMOSTAT RESISTANCE CUVE															
	E2	PROBE TANK HEATER	THANKHEIZUNG/THERMOSTAT															
	E1	SONDA CONTROLLO BOILER	THERMOSTAT RESISTANCE BOYLER															
	E1	BOOSTER HEATER THERMOSTAT	BOILERHEIZUNG															
G	B/02	CONDENSATORE CAPACITOUR																
	B16	PRESSOSTATO LIVELLO BOILER	PRESSOSTAT NIVEAU SURCHAUFFER															
	B16	BOILER PRESSURE SWITCH	NACHSPUELBOILER NIVEAUSCHALTER															
	B18	CONTROLLO LIVELLO BRILLANTANTE	CONTROLE NIVEAU PRODUIT DE RINÇAGE															
	B18	RINSE AID CONTROL LEVEL	STUFE GLANZMITTEL															
	B12	CONTROLLO LIVELLO DETERGENTE	CONTROLE NIVEAU DETERGERENT															
	B12	DETERGENT LEVEL	SPULMITELNIVEAUSCHALTER															
	B10	PRESSOSTATO LIVELLO VASCA	PRESSOSTAT NIVEAU AIRGAP															
	B10	TANK PRESSURE SWITCH	TANKRÜCKSCHALTER-NIVEAUREGLER															
	A1/A3	SCHEDA CONTROLLO ELETTRONIC CONTROL UNIT	FICHE DE CONTROLLE/ELECTRONIQUE ELEKTRONISCHE BEDINNINGSKARTE															
H	SIMB.	DESCRIPTION	BESCHREIBUNG															

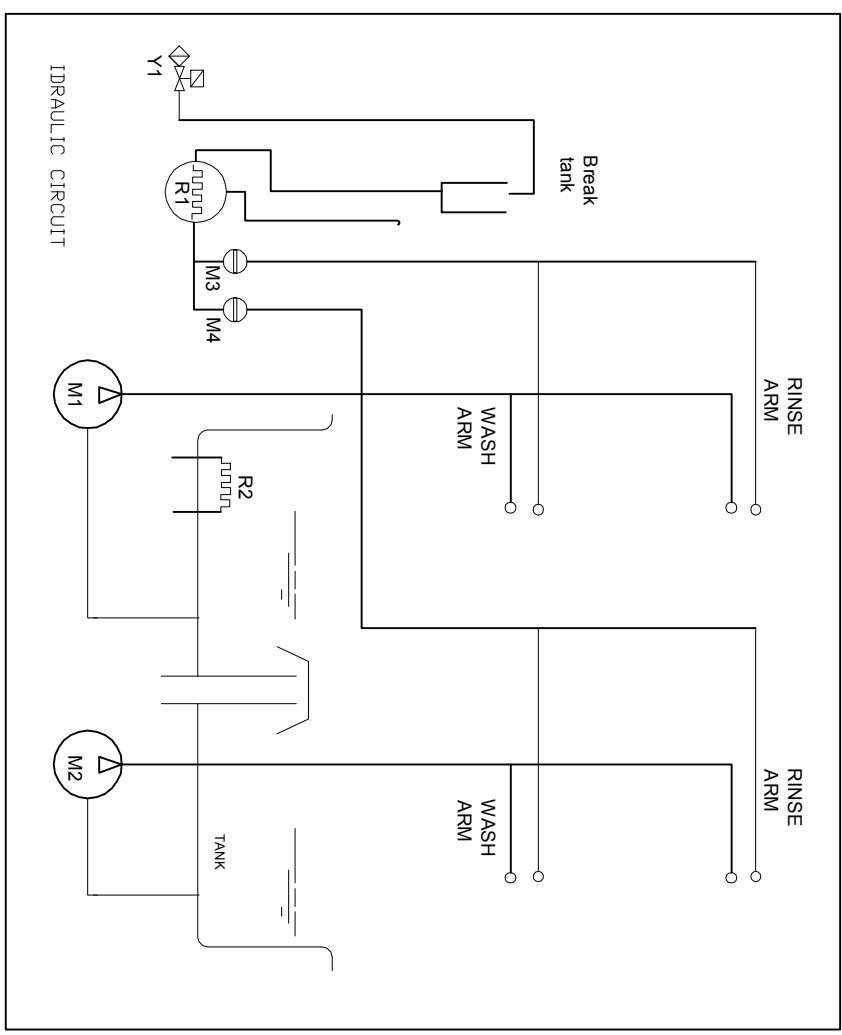
DESCRIZIONE

SISTITUISCE

DATA

Code Machine	82126	Revision	
Re-examined	date	WIRING DIAGRAM	
Inspected by	date		
Validated by	date		
		Diswashers	
		Total Digt	3
		N° Digt	1
		Next Digt	-2
		n° File	82126
		mod	--

01 02 03 04 05 06 07 08 09 10 11 12 13 14 15 16 17 18



DESCRIZIONE	SUBSTITUISCE	DATA

Code Machine	Re-examined date/date	Inspected by	added/date	validated by	validated/date	Dimension	WIRING DIAGRAM	n°/file	Code
	03/09/08					Diswashers		821261	
						Total Digt 4	N° Digt 4	Next Digt	