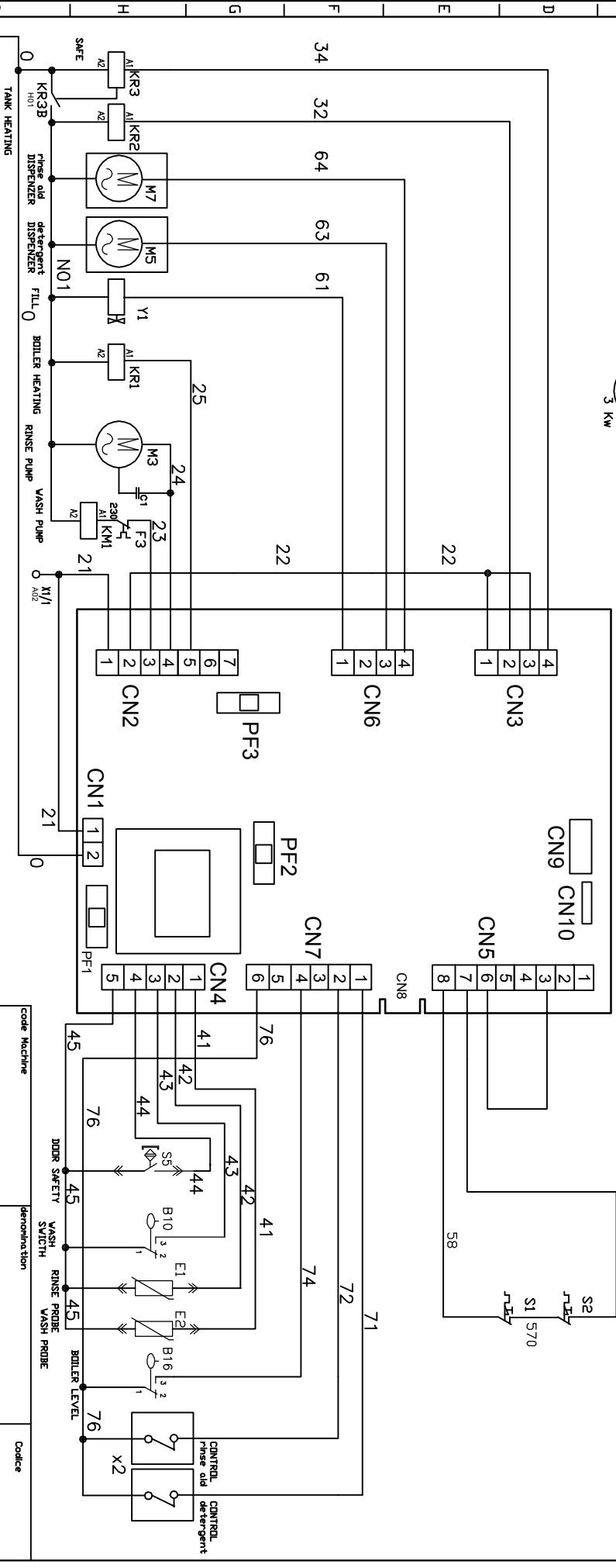
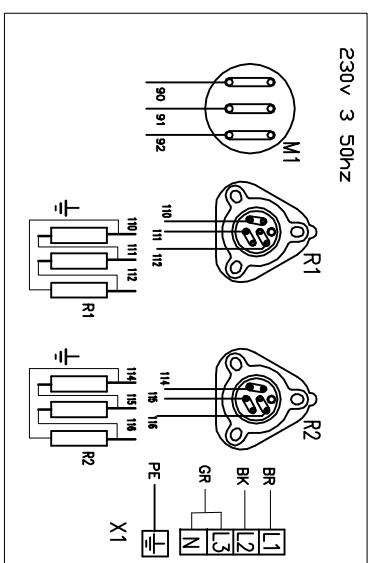
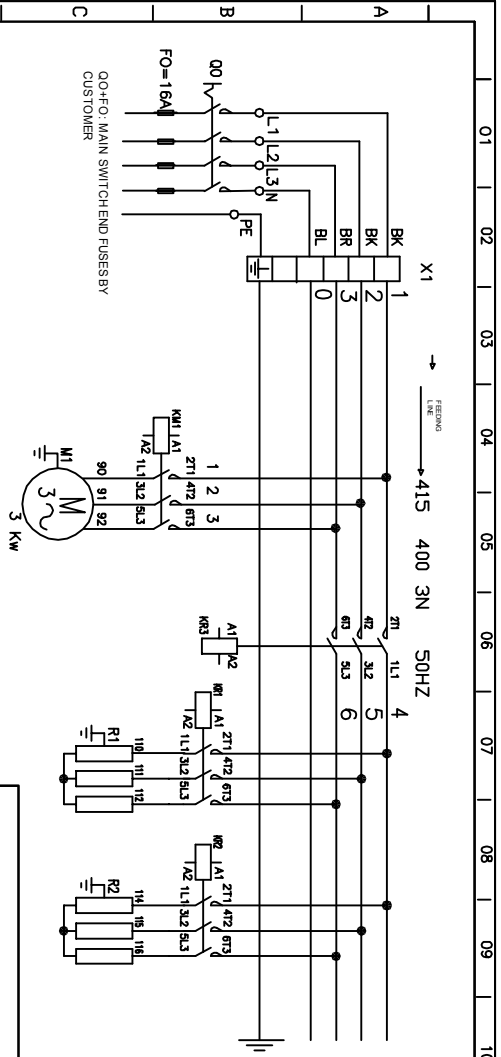


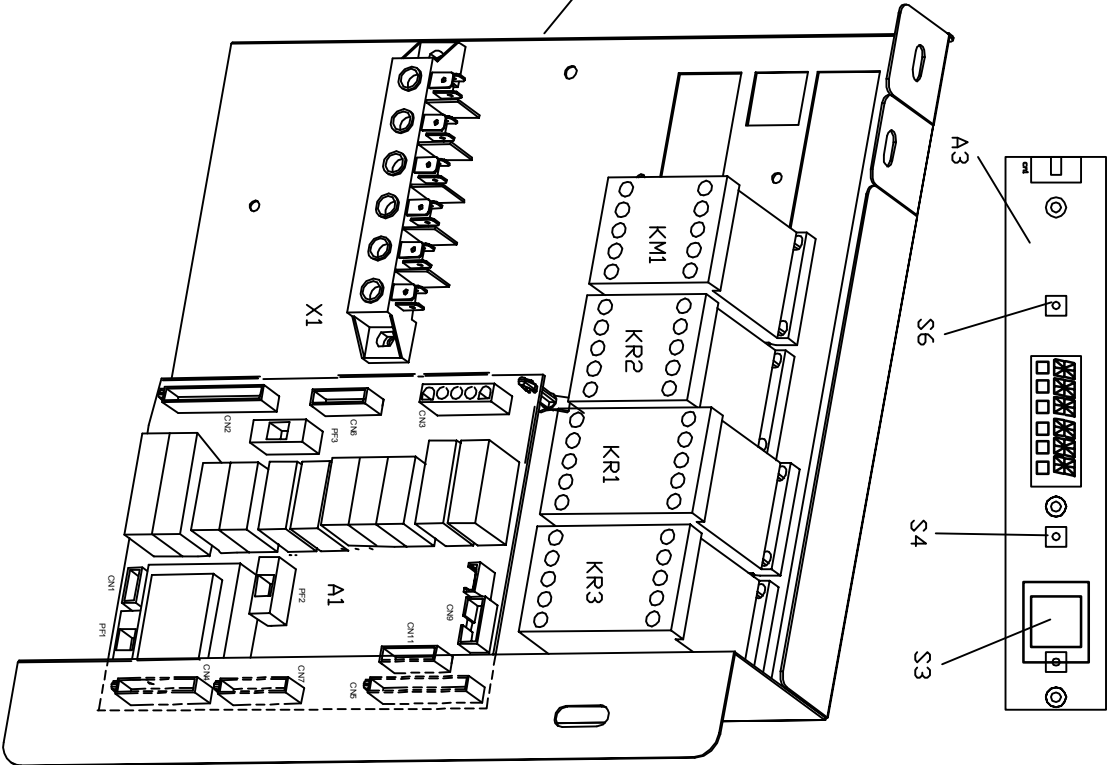
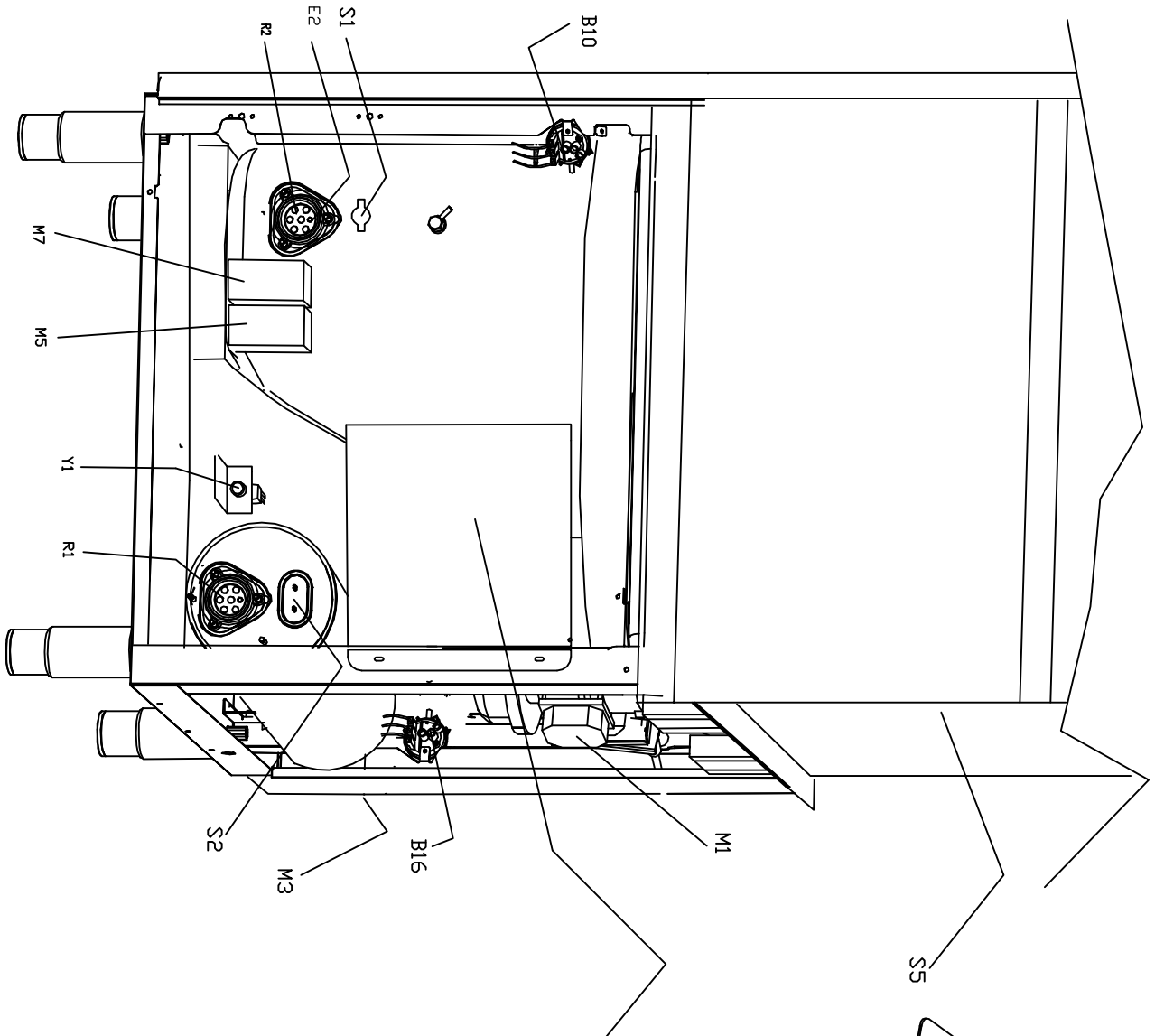
2250/C

1



DESCRIPTIONE	OPZIONALE
SUBSTITUISCE	DATA

Code Machine	Code	
82127	82127	
re-examined	date/date	
05/09/08		
inspected by	checked/checked	
validated by	date/date	
denomination		
WIRING DIAGRAM		
Dishwashers		
total BIC	N° BIC	next BIC
3	2	-3
n°/file	mod	
82127		



DESCRIZIONE

SOSTITUISCIE

DATA

Code Machine		denomination		Codice	
re-examined	date/date	WIRING DIAGRAM		82127	
inspected by	date/date	Diswashers		n°/file	82127L
validated by	date/date	total BDT	n° BDT	Next BDT	-
		3	2	-3	

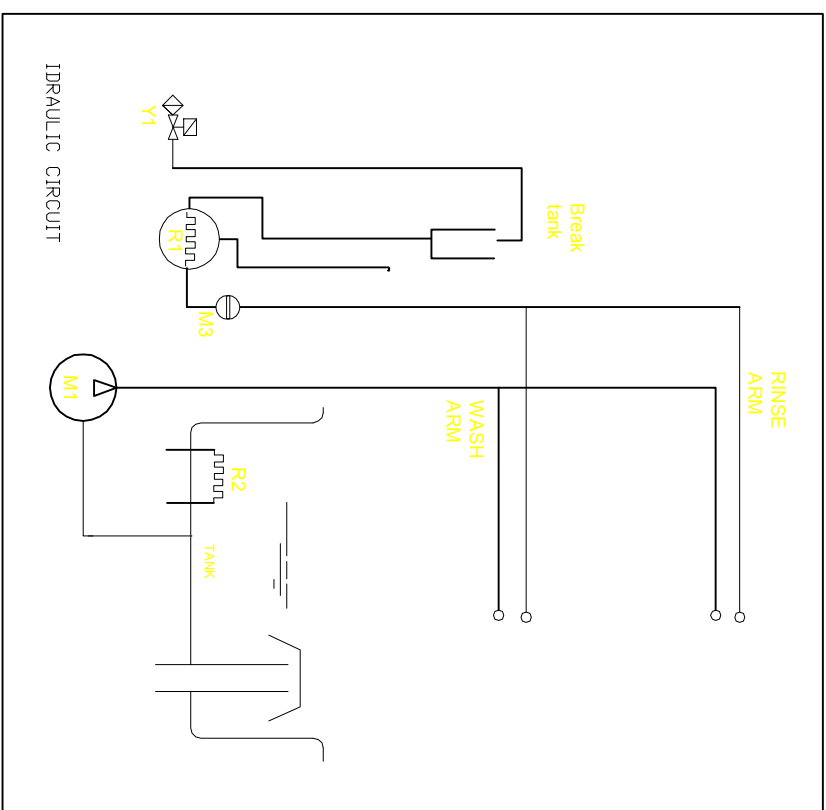
	01	02	03	04	05	06	07	08	09	10	11	12	13	14	15	16	17	18
A	S6	PULSANTE DI LINEA	INTERRUPTEUR DE LIGNE															
	S5	MAIN SWITCH	NETZSCHALTER															
	S5	MICROINTERUTTORE MAGNETICO	MICROINTERRUPTEUR MAGNETIQUE															
	S5	MAGNETIC SAFETY MICROSWITCH	MAGNETISCHER SICHERITTSCHALTER															
	S3	INTERUTTORE DI CICLO	INTERRUPTEUR DE DEMARRAGE															
	S3	CYCLE SWITCH	WASCHVORGANGSSCHALTER															
	S4	SELETORE CICLO	SELECTEUR CYCLE															
	S4	CYCLE COMMUTATOR	WAHLSCHALTER FÜR WASCHVORGANGSDAUER															
	S1	TENOSTATO SICUREZZA VASCA	THERMOSTAT DE SÛRITIE CUVE															
	S1	SAFETY BOOSTER HEATER THERMOSTAT	THERMOSTAT DE SÛRITIE DU BOYLER															
	S1	SAFETY BOOSTER HEATER THERMOSTAT	SICHERHEITZUNG															
	S2	TENOSTATO SICUREZZA VASCA	THERMOSTAT DE SÛRITIE CUVE															
	R2	RESISTENZA VASCA LAVAGGIO	RESISTANCE CUVE DE LAVAGE															
	R2	WASH TANK HEATING ELEMENT	SICHERHEITZ- TANKTHERMOSTAT															
	R1	RESISTENZA BOILER	RESISTANCE BOYLER															
	R1	BOOSTER HEATER HEATING ELEMENT	BOILERHEIZUNG															
	M7	ELETTRODOSATORE TENSIOLATTIVO	DOSEUR EL. PRODUIT RINÇAGE															
	M7	EL. RINSE/AD INJECTOR	MACHSPUELMITELDOSIERGERÄT															
	M6	ELETTROPOMPA DI SCARICO	MOTEUR POMPE VIDANGE															
	M6	DRAIN PUMP	MOTOR LAUGENPUMPE															
	M3	ELETTROPOMPA AUMENTO PRESSIONE	ELECTROPOMPE AUGMENT PRESSION															
	M4	RINSE BOOSTER PUMP	DRUCKSTEUERUNGSPUMPE															
	M5	ELETTRODOSATORE DETERGIVO	DOSEUR EL. DETERGENT															
	M5	EL. DETERGENT INJECTOR	SPEL. MITELDOSIERGERÄT															
	M1	ELETTROPOMPA LAVAGGIO	ELECTROPOMPE LAVAGE															
	M1	WASH ELECTRIC PUMP	ELEKTRISCHE UMWÄLTPUMPE															
	KR3	TELEUTTORE SICUREZZA RESISTENZA BOILER	CONTACTEUR RESISTANCE BOYLER															
	KR3	SAFETY BOOSTER HEATER CONTACTOR	LUFTSCHLEIß F. BOILERHEIZUNG															
	KR2	TELEUTTORE RESISTENZA VASCA	CONTACTEUR RESISTANCE VASCA															
	KR2	TANK HEATER CONTACTOR	LUFTSCHLEIß F. BOILERHEIZUNG															
	KR1	TELEUTTORE RESISTENZA BOILER	CONTACTEUR RESISTANCE BOYLER															
	KR1	BOOSTER HEATER CONTACTOR	LUFTSCHLEIß F. BOILERHEIZUNG															
	KM1	TELEUTTORE ELETTROPOMPA LAVAGGIO	CONTACTEUR ELECTROPOMPE LAVAGE															
	KM2	WASCH PUMP CONTACTEUR	SCHLEIß F. UMWÄLTPUMPE															
	KM3	TELEUTTORE ELETTROPOMPA RISCACQUO	CONTACTEUR ELECTROPOMPE RINÇAGE															
	KM4	RINSE PUMP CONTACTEUR	CONTACTEUR ELECTROPOMPE RINÇAGE															
	Y1	ELETTROVALVOIA RISCACQUO	ELECTROVANNE DE RINÇAGE															
	Y1	RINSE SOLENOID VALVE	MAGNETVENT FÜR NACHSPÜLEUNG															
	F3	PROTEZIONE TERMICA ELETTROPOMPA	PROT. THERMIQUE MOTEUR EL. POMPE															
	F3	EL. WASH PUMP THERMAL PROTECTION	THERMISHER MOTORSCHLEIß															
F	E2	SONDA CONTROLLO VASCA	THERMOSTAT RESISTANCE CUVE															
	E2	PROBE TANK HEATER	THANKHEIZUNG/THERMOSTAT															
	E1	SONDA CONTROLLO BOILER	THERMOSTAT RESISTANCE BOYLER															
	E1	BOOSTER HEATER THERMOSTAT	BOILERHEIZUNG															
G	B/02	CONDENSATORE CAPACITOUR																
	B16	PRESSOSTATO LIVELLO BOILER	PRESSOSTAT NIVEAU SURCHAUFFEUR															
	B16	BOILER PRESSURE SWITCH	MACHSPÜLBOILER NIVEAUSCHALTER															
	B18	CONTROLLO LIVELLO BRILLANTANTE	CONTROLE NIVEAU PRODUIT DE RINÇAGE															
	B18	RINSE AID CONTROL LEVEL	STUFE GLÄNZMITTEL															
	B12	CONTROLLO LIVELLO DETERGENTE	CONTROLE NIVEAU DETERGENT															
	B12	DETERGENT LEVEL	SPÜLMITELNIVEAUSCHALTER															
	B10	PRESSOSTATO LIVELLO VASCA	PRESSOSTAT NIVEAU AIRGAP															
	B10	TANK PRESSURE SWITCH	TANKRÜCKSCHALTER-NIVEAUREGLER															
	A1/A3	SCHEDA CONTROLLO ELETTRONIC CONTROL UNIT	FICHE DE CONTROLLELECTRONIQUE															
	A1/A3	ELECTRONIC CONTROL UNIT	ELEKTRONISCHE BEDINNINGSKARTE															
H	SIMB.	DESCRIPTION	BESCHREIBUNG															

DESCRIZIONE

SISTITUISCE

DATA

Code Machine	82126	Revision	
Re-examined	date	WIRING DIAGRAM	
Inspected by	date	82126	
Validated by	date	82126	
		Total Digt	3
		N° Digt	1
		Next Digt	-2
		n° file	82126
		mod	--



DESCRIZIONE

SOSTITUISCE

DATA

Code Machine	Denominazione		Codice	
re-examinated	date/date	WIRING DIAGRAM		
inspected by	date/date	total Blot	N° Blot	n° file
validated by	date/date	4	4	mod
			Next Blot	
				821271