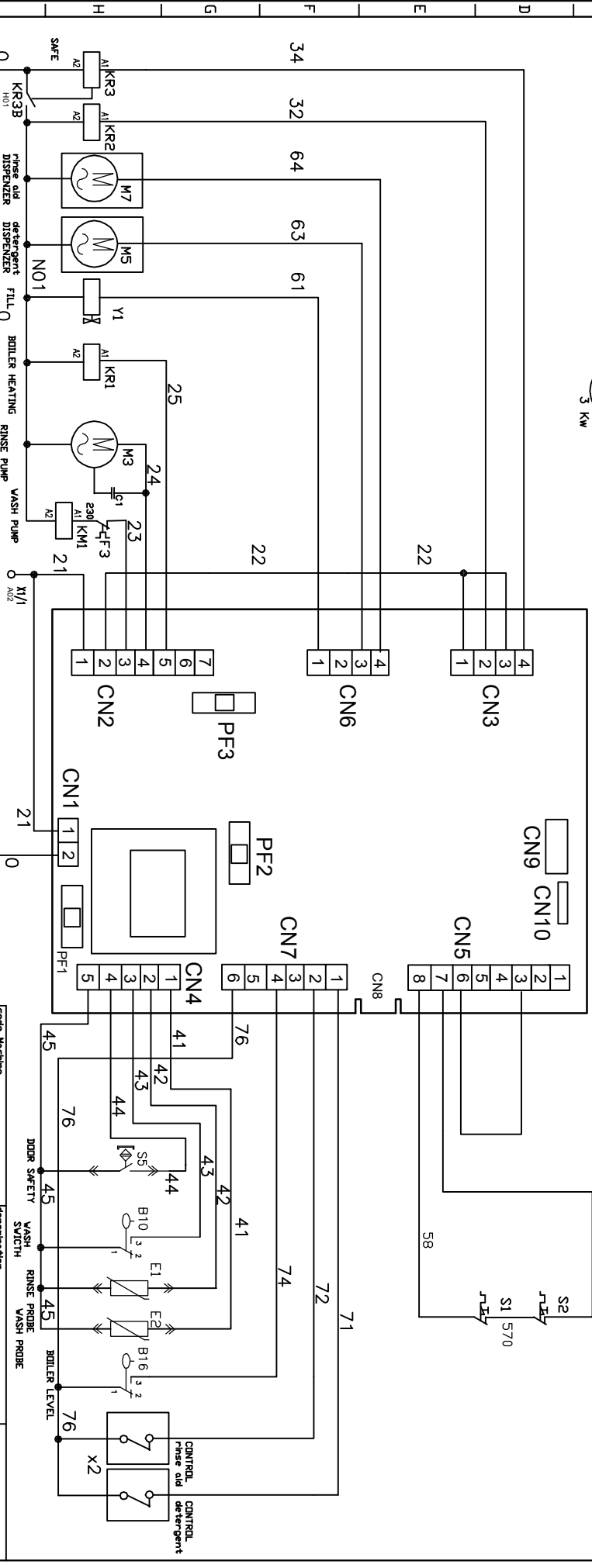
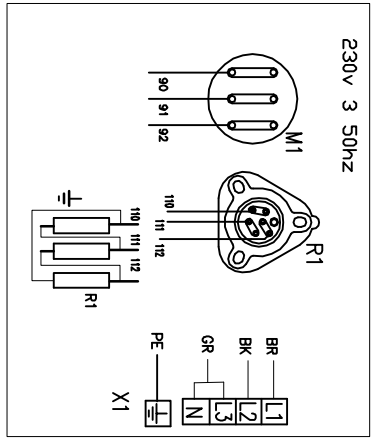
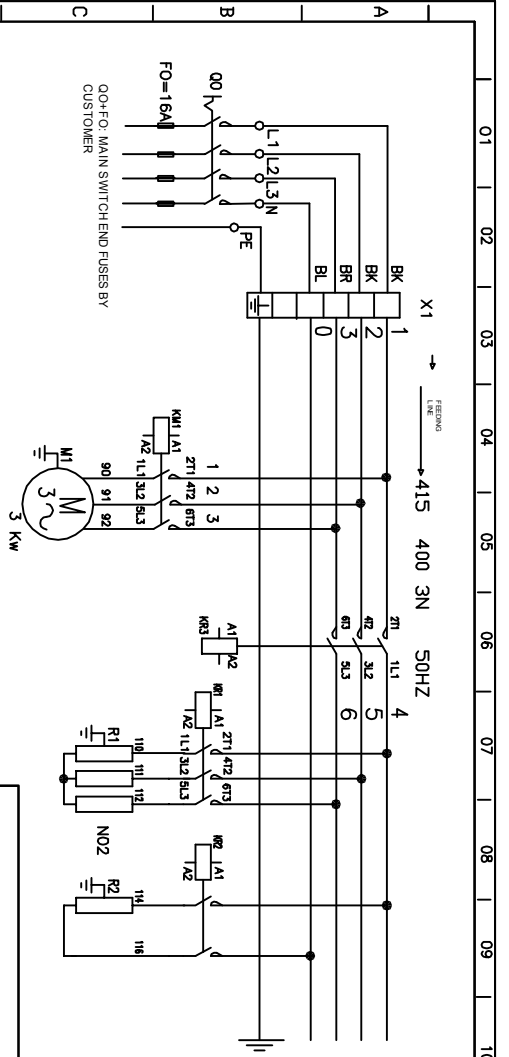
**1227.2710**



DESCRIZIONE	SOSTITUISC	DATA
TANK HEATING		
phase old DISPENSER		
detergent DISPENSER		
FILL		
BOILER HEATING		
RINSE PUMP		
WASH PUMP		
OPTIONAL		

Code Machine	WIRING DIAGRAM	Code
82127		82127

re-examined	date/date	Inspection	total	next
05/09/08		Dishwashers	3	2

Inspector by	date/date	total	next
		3	2

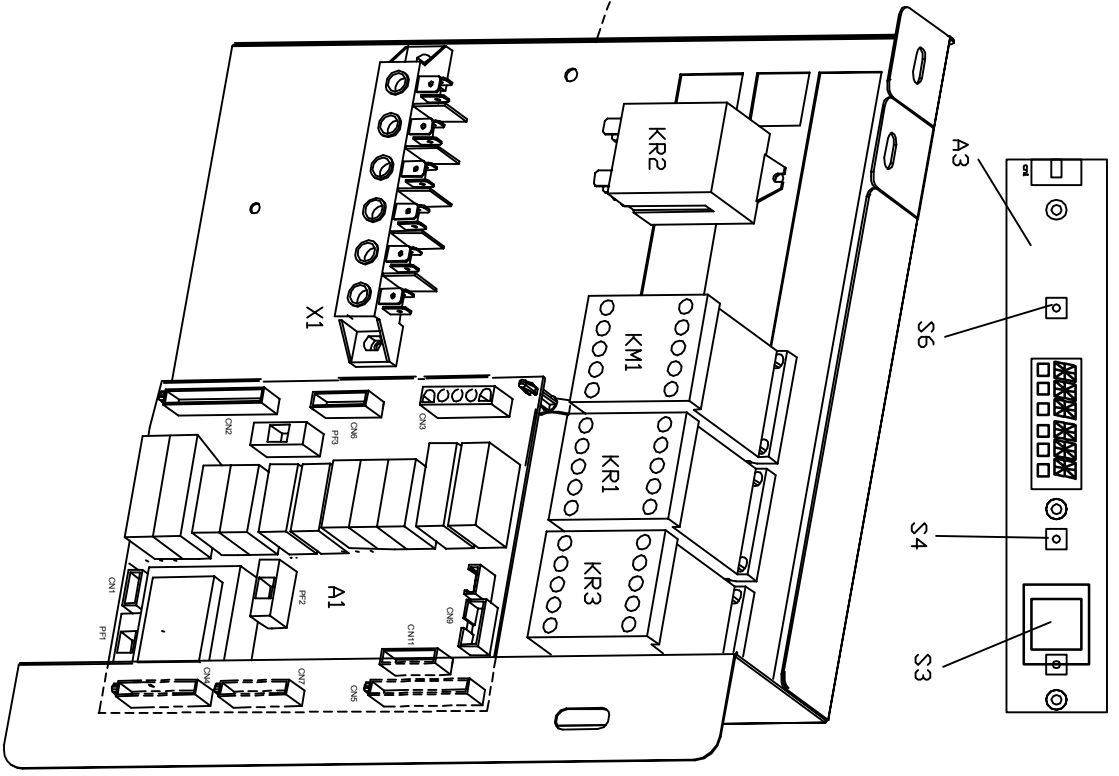
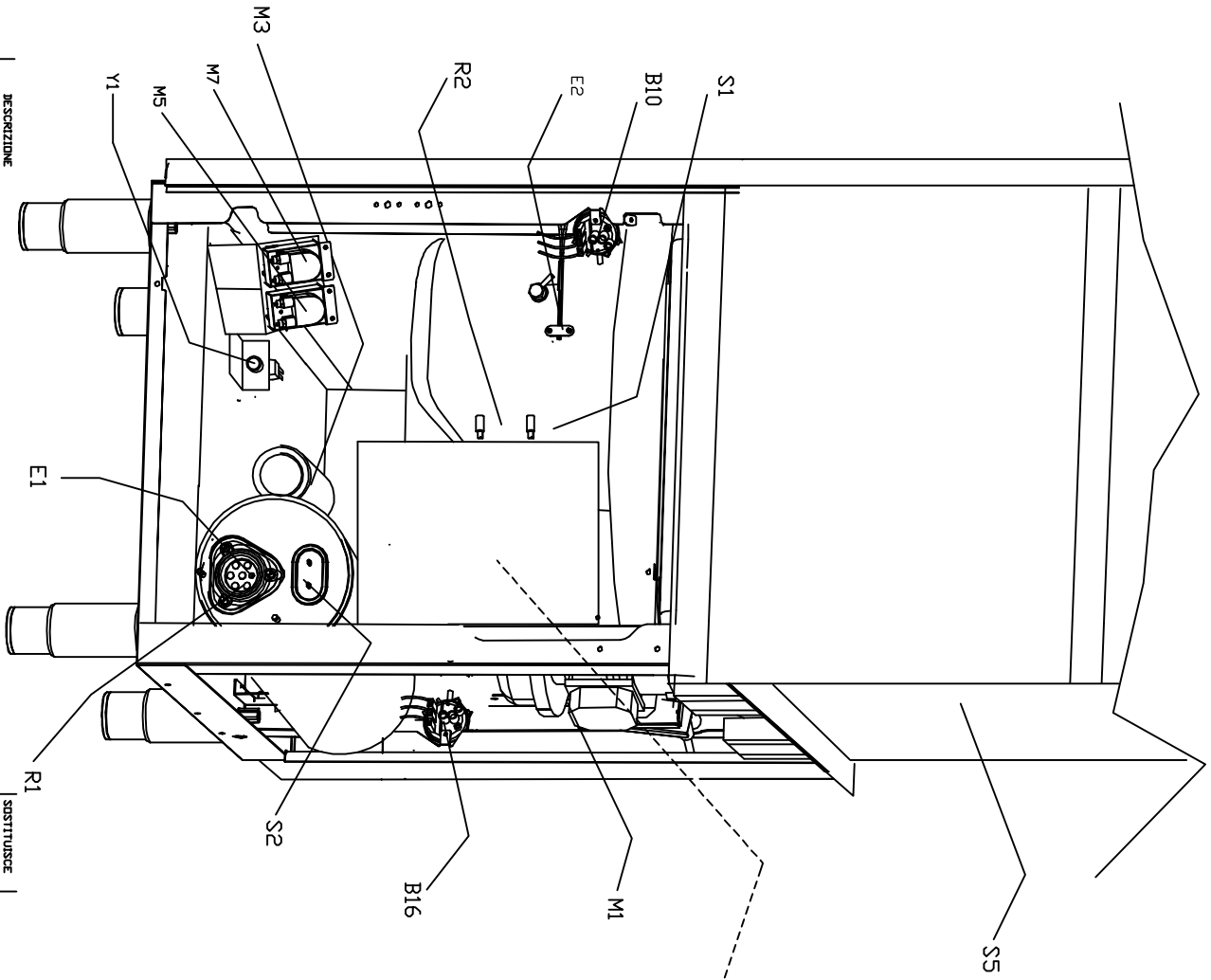
  

validated by	date/date	total	next
		3	2

n°/file	mod
82128	





DESCRIZIONE

SOSTITUISCE

DATA

Code Machine		Demonstration		Codice	
RE-EXAMINED	DATE/DATE	WIRING DIAGRAM		82128	
INSPECTED BY	SIGNATURE	Diswashers		n°/file	82128L
VALIDATED BY	DATE/DATE	TOTAL BLOC	N° BLOC	Next BLOC	-
		3	2	-3	

	01	02	03	04	05	06	07	08	09	10	11	12	13	14	15	16	17	18
A	S8	PULSANTE DI LINEA MAIN SWITCH	INTERRUPTEUR DE LIGNE NETZSCHALTER															
	S5	MICROINTERUTTORE MAGNETICO MAGNETIC SAFETY MICROSWITCH	MICROINTERUPTEUR MAGNETIQUE MAGNETISCHER SICHERHEITSSCHALTER															
	S3	INTERUTTORE DI CICLO CYCLE SWITCH	INTERUPTEUR DE DEMARRAGE MASCHVORGANGSSCHALTER															
	S4	SELETORE CICLO CYCLE COMMUTATOR	WAHLSCHALTER FÜR WASHVORGANGSBAUWER THERMOSTAT DE SÛRURITE DU BOYLER															
	S1	TERMOSTATO SICUREZZA BOILER SAFETY BOOSTER HEATER THERMOSTAT	SICHERHEITSSCHALTER FÜR WASHVORGANGSBAUWER THERMOSTAT DE SÛRURITE CUVE															
	S2	TERMOSTATO SICUREZZA VASCA SAFETY TANK HEATER THERMOSTAT	SICHERHEITSSCHALTER - TANKTHERMOSTAT RESISTANCE CUVE DE LAVAGE															
B	R2	WASH TANK HEATING ELEMENT	WASHTANKHEIZUNG RESISTANCE BOUYLER															
	R1	RESISTENZA BOILER BOOSTER HEATER HEATING ELEMENT	BOILERHEIZUNG BOUYLERHEIZUNG															
	M7	ELETTRODOSATORE TENSIOATIVO EL. RINSE/AD INJECTOR	DOSEUR EL. PRODUIT RINÇAGE NACHSPULMITTELDOSIERGERÄT															
	M6	ELETTROPOMPA DI SCARICO DRAIN PUMP	MOTEUR POMPE VIDANGE MOTOR LAUGENPUMPE															
	M3	RINSE BOOSTER PUMP ELETTROPOMPA AUMENTO PRESSIONE	ELETTROPOMPE AUGMENT PRESSION DRUCKSTÄRKERUNGSPUMPE															
	M5	ELETTRODOSATORE DETERGIVO EL. DETERGENT INJECTOR	DOSEUR EL. DETERGENT SPÜEL MITTELDOSEIERGERÄT															
	M1	ELETTROPOMPA LAVAGGIO WASH ELECTRIC PUMP	ELETTROPOMPE LAVAGE ELEKTRISCHE UMWELZPUMPE															
	KR3	TELEUTTORE SICUREZZA RESISTENZA BOILER SAFETY BOOSTER HEATER CONTACTOR	CONTACTEUR RESISTANCE BOUYLER LUFTSCHLEIß F. BOILERHEIZUNG															
	KR2	TELEUTTORE RESISTENZA VASCA TANK HEATER CONTACTOR	CONTACTEUR RESISTANCE BOUYLER LUFTSCHLEIß F. BOILERHEIZUNG															
D	KR1	TELEUTTORE RESISTENZA BOILER BOOSTER HEATER CONTACTOR	CONTACTEUR RESISTANCE BOUYLER LUFTSCHLEIß F. BOILERHEIZUNG															
	KM1	TELEUTTORE ELETTROPOMPA LAVAGGIO WASH PUMP CONTACTEUR	CONTACTEUR ELECTROPOMPE LAVAGE SCHLEIß F. UMWELZPUMPE															
	F3	PROTEZIONE TERMICA ELETTROPOMPA EL. WASH PUMP THERMAL PROTECTION	PROT. THERMIQUE MOTEUR EL. POMPE THERMISCHER MOTORSCHUTZ															
E	Y1	ELETTROVALVOIA RISCIACQUO RINSE SOLENOID VALVE	ELECTROVANNE DE RINÇAGE MAGNETVENT FÜR NACHSPÜELUNG															
	E2	SONDA CONTROLLO VASCA PROBE TANK HEATER	THERMOSTAT RESISTANCE CUVE TANKHEIZUNGHERMOSTAT															
	E1	SONDA CONTROLLO BOILER BOOSTER HEATER THERMOSTAT	THERMOSTAT RESISTANCE BOUYLER BOILERHEIZUNG															
F	C1	CONDENSATORE CAPACITOR																
	B16	PRESSOSTATO LIVELLO BOILER BOILER PRESSURE SWITCH	PRESSOSTAT NIVEAU SURCHAUFFER NACHSPÜELBOILER NIVEAUSCHALTER															
	B18	CONTROLLO LIVELLO BRILLANTANTE RINSE AID CONTROL LEVEL	CONTROLLE NIVEAU PRODUIT DE RINÇAGE STUPE GLANZMITTEL															
	B12	CONTROLLO LIVELLO DETERGENTE DETERGENT LEVEL	CONTROLLE NIVEAU DETERGENT SPÜELMITTEL NIVEAUSCHALTER															
G	B10	PRESSOSTATO LIVELLO VASCA TANK PRESSURE SWITCH	PRESSOSTAT NIVEAU AIRGAP TANKDRUCKSCHALTER-NIVEAUREGLER															
	A1/A3	SCHEDE CONTROLLO ELECTRONIC CONTROL UNIT	FICHE DE CONTROLEELECTRONIQUE ELEKTRONISCHE BEDIENUNGSKARTE															
	SIMB.	DESCRIZIONE DESCRIPTION	DESCRIZIONE BESCHREIBUNG															

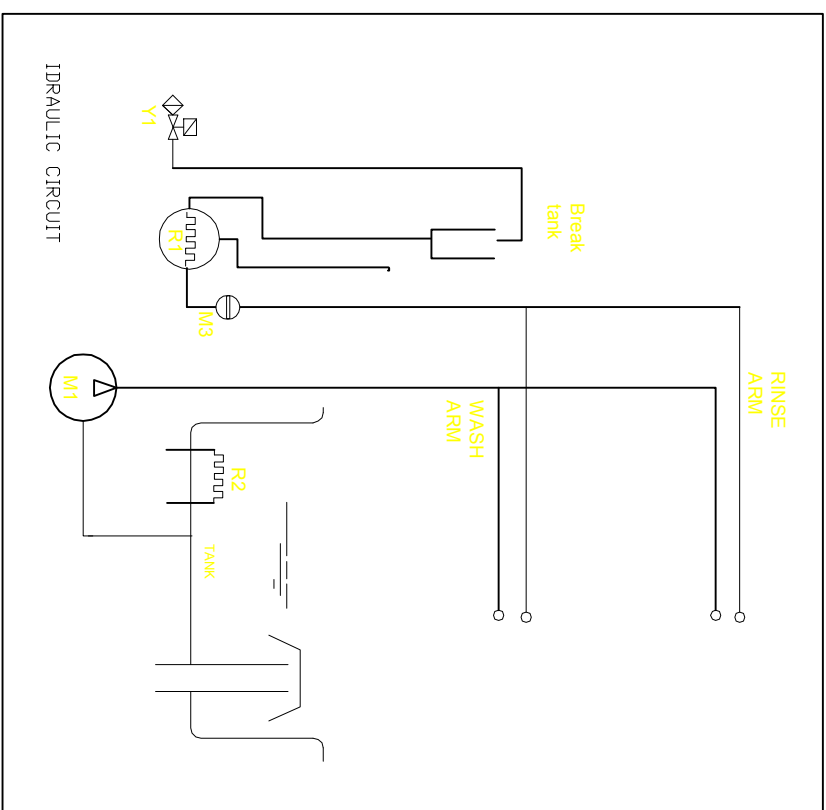
-3  
-2

DESCRIZIONE

SISTITUISCE

DATA

Code Machine	82127	Barboration	Code	82127
Re-examined	date	WIRING DIAGRAMM	n° file	mod
Inspected by	date			
Validated by	date	Diswashers		
		total Dist	n° Dist	Next date
		3	1	-2
				82128



DESCRIZIONE

SOSTITUISCE

DATA

Code Machine	denominazione	Codice
re-examinated	date/date	
05/09/08		
inspected by	data/date	
validated by	total Blot	n°file
	4	821281
	4	mod
	Next Blot	

WIRING DIAGRAM

Dishwashers