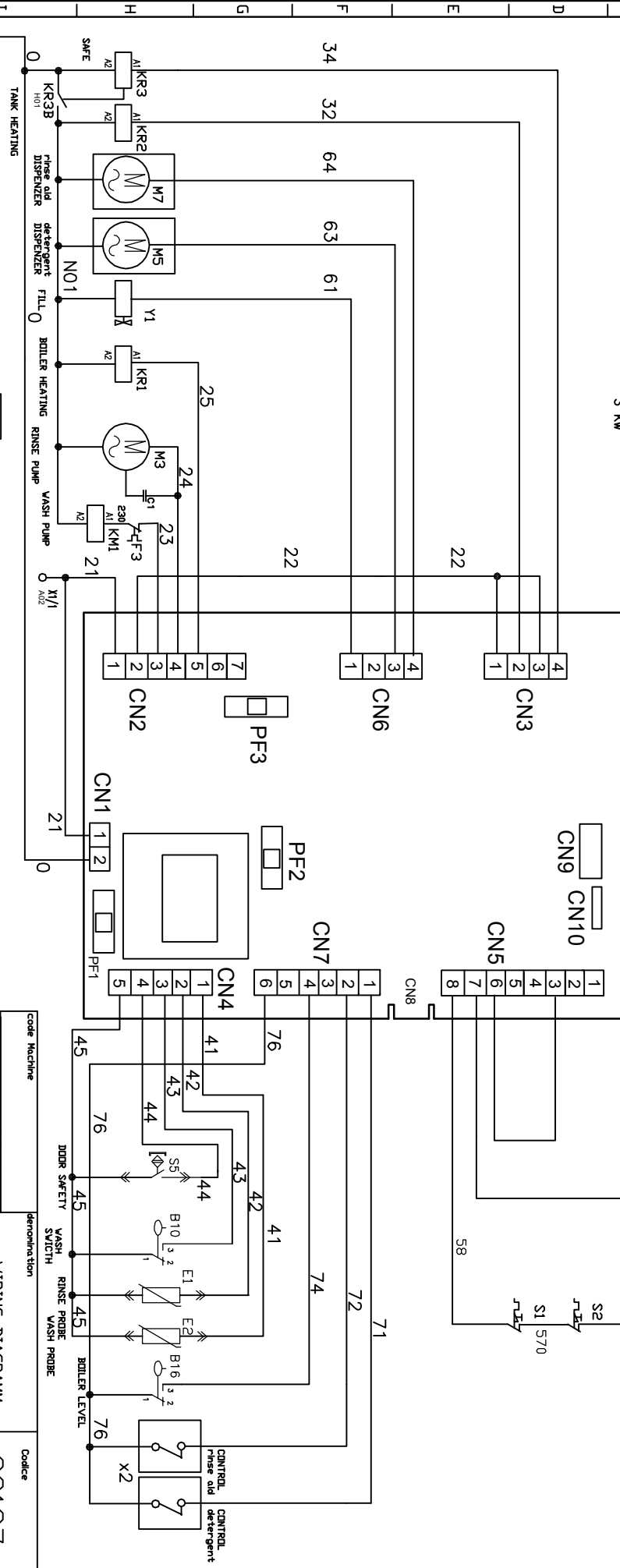
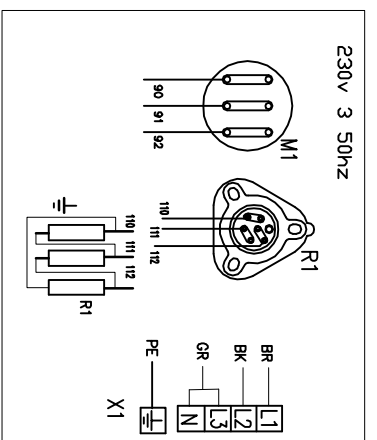
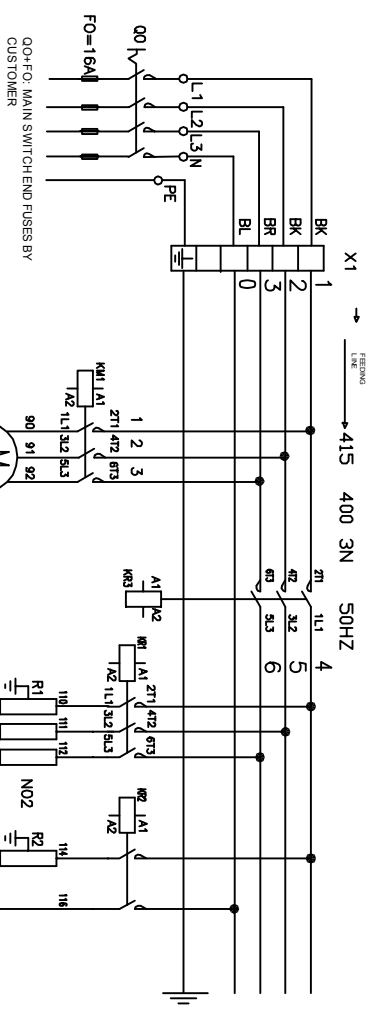
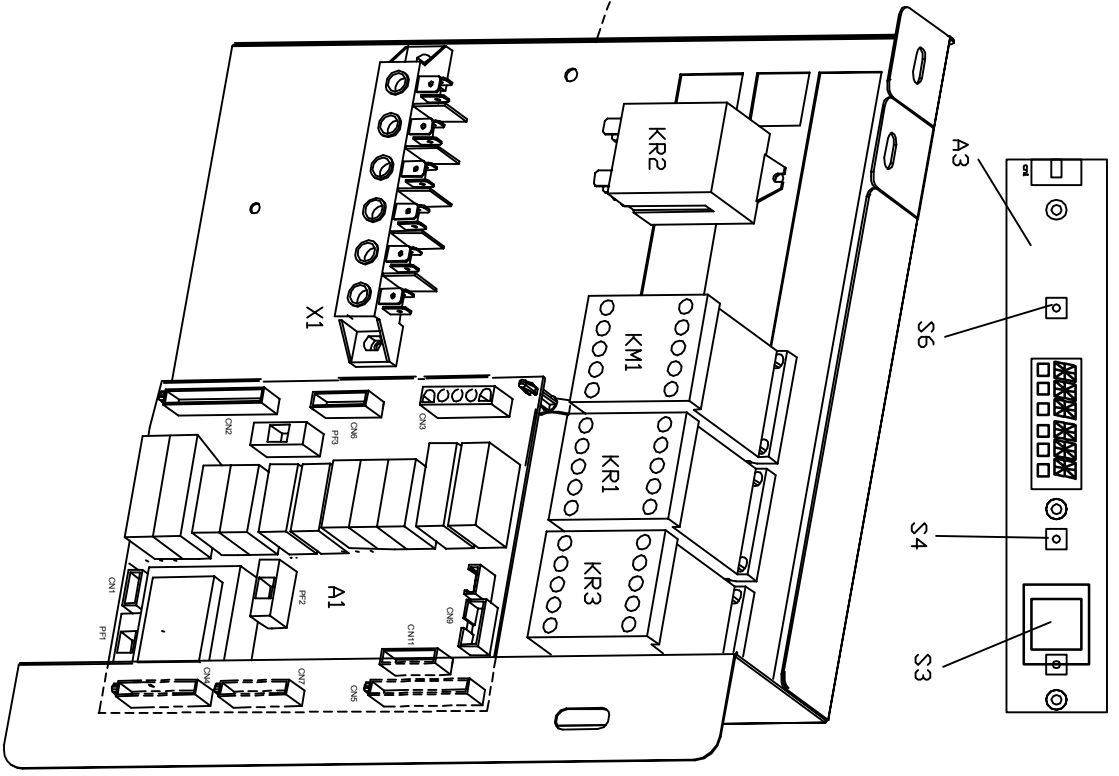
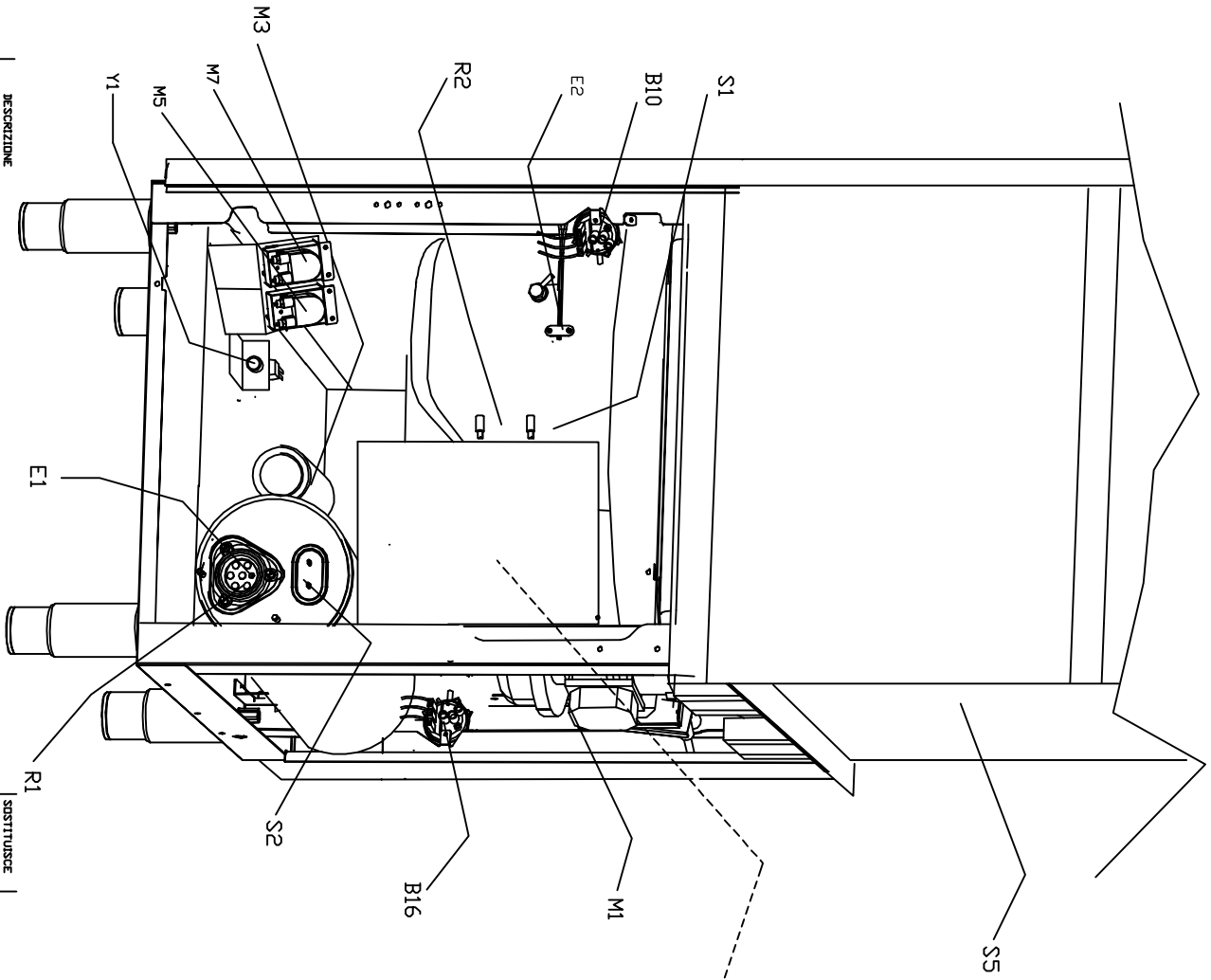


**5295.4050**



Code Machine		Identification		Codice	
re-examined	date/date	WIRING DIAGRAM		82127	
inspected by	date/date	Dishwashers		n°/file	82128
validated by	date/date	total BIC	N° BIC	next BIC	mod
		3	2	-3	





DESCRIZIONE

SOSTITUISCE

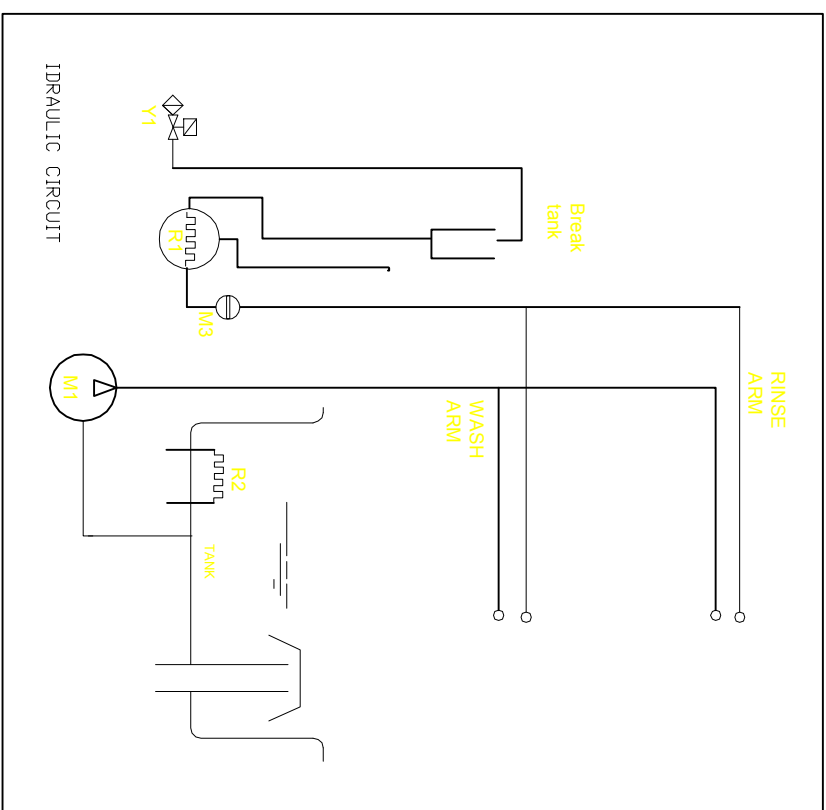
DATA

Code Machine		Demonstration		Codice	
RE-EXAMINED	DATE/DATE	WIRING DIAGRAM		82128	
INSPECTED BY	SIGNATURE	Diswashers		n°/file	82128L
VALIDATED BY	DATE/DATE	TOTAL BLOC	N° BLOC	Next BLOC	-
		3	2	-3	

	01	02	03	04	05	06	07	08	09	10	11	12	13	14	15	16	17	18
A	S8	PULSANTE DI LINEA MAIN SWITCH	INTERRUPTEUR DE LIGNE NETZSCHALTER															
	S5	MICROINTERUTTORE MAGNETICO MAGNETIC SAFETY MICROSWITCH	MICROINTERUTEUR MAGNETIQUE MAGNETISCHER SICHERHEITSSCHALTER															
	S3	INTERUTTORE DI CICLO CYCLE SWITCH	INTERUTEUR DE DEMARRAGE MASCHVORGANGSSCHALTER															
	S4	SELETORE CICLO CYCLE COMMUTATOR	WAHLSCHALTER FÜR WASHVORGANGSSCHALTER THERMOSTAT DE SECURITE DU BOYLER															
	S1	TERMOSTATO SICUREZZA BOILER SAFETY BOOSTER HEATER THERMOSTAT	SICHERHEITSSCHALTER FÜR WASHVORGANGSSCHALTER THERMOSTAT DE SECURITE CUVE															
B	S2	TERMOSTATO SICUREZZA VASCA SAFETY TANK HEATER THERMOSTAT	SICHERHEITSSCHALTER - TANKTHERMOSTAT RESISTANCE CUVE DE LAVAGE															
	R2	WASH TANK HEATING ELEMENT	WASHTANKHEIZUNG RESISTANCE BOYLER															
	R1	RESISTENZA BOILER BOOSTER HEATER HEATING ELEMENT	BOILERHEIZUNG BOILER HEATER															
	M7	ELETTRODOSATORE TENSIOATIVO EL. RINSE/AD INJECTOR	DOSEUR EL. PRODUIT RINÇAGE NACHSPULMITTELDOSIERGERÄT															
	M6	ELETTROPOMPA DI SCARICO DRAIN PUMP	MOTEUR POMPE VIDANGE MOTOR LAUGENPUMPE															
C	M3	ELETTROPOMPA AUMENTO PRESSIONE RINSE BOOSTER PUMP	ELETTROPOMPE AUGMENT PRESSION DRUCKSTÄRKERUNGSPUMPE															
	M5	ELETTRODOSATORE DETERGIVO EL. DETERGENT INJECTOR	DOSEUR EL. DETERGENT SPÜEL MITTELDOSIERGERÄT															
	M1	ELETTROPOMPA LAVAGGIO WASH ELECTRIC PUMP	ELETTROPOMPE LAVAGE ELEKTRISCHE UMWELZPUMPE															
	KR3	TELEUTTORE SICUREZZA RESISTENZA BOILER SAFETY BOOSTER HEATER CONTACTOR	CONTACTEUR RESISTANCE BOYLER LUFTSCHLEIß F. BOILERHEIZUNG															
D	KR2	TELEUTTORE RESISTENZA VASCA TANK HEATER CONTACTOR	CONTACTEUR RESISTANCE BOYLER LUFTSCHLEIß F. BOILERHEIZUNG															
	KR1	TELEUTTORE RESISTENZA BOILER BOOSTER HEATER CONTACTOR	CONTACTEUR RESISTANCE BOYLER LUFTSCHLEIß F. BOILERHEIZUNG															
	KM1	TELEUTTORE ELETTROPOMPA LAVAGGIO WASCH PUMP CONTACTEUR	CONTACTEUR ELECTROPOMPE LAVAGE SCHLEIß F. UMWELZPUMPE															
E	F3	PROTEZIONE TERMICA ELETTROPOMPA EL. WASH PUMP THERMAL PROTECTION	PROT. THERMIQUE MOTEUR EL. POMPE THERMISCHER MOTORSCHUTZ															
	Y1	ELETTROVALVOIA RISCIACQUO RINSE SOLENOID VALVE	ELECTROVANNE DE RINÇAGE MAGNETVENT FÜR NACHSPÜELUNG															
F	E2	SONDA CONTROLLO VASCA PROBE TANK HEATER	THERMOSTAT RESISTANCE CUVE TANKHEIZUNG/THERMOSTAT															
	E1	SONDA CONTROLLO BOILER BOOSTER HEATER THERMOSTAT	THERMOSTAT RESISTANCE BOYLER BOILERHEIZUNG															
	C1	CONDENSATORE CAPACITOR																
	B16	PRESSOSTATO LIVELLO BOILER BOILER PRESSURE SWITCH	PRESSOSTAT NIVEAU SURCHAUFFER NACHSPULBOILER NIVEAUSCHALTER															
	B18	CONTROLLO LIVELLO BRILLANTANTE RINSE AID CONTROL LEVEL	CONTROLE NIVEAU PRODUIT DE RINÇAGE STUPE GLANZMITTEL															
G	B12	CONTROLLO LIVELLO DETERGENTE DETERGENT LEVEL	CONTROLE NIVEAU DETERGENT SPÜELMITTEL NIVEAUSCHALTER															
	B10	PRESSOSTATO LIVELLO VASCA TANK PRESSURE SWITCH	PRESSOSTAT NIVEAU AIRGAP TANKDRUCKSCHALTER-NIVEAUREGLER															
	A1/A3	SCHEDE CONTROLLO ELECTRONIC CONTROL UNIT	FICHE DE CONTROLEELECTRONIQUE ELEKTRONISCHE BEDIENUNGSKARTE															
	SIMB.	DESCRIZIONE DESCRIPTION	DESCRIZIONE BESCHREIBUNG															

DESCRIZIONE	SISTITUISCE	DATA

Code Machine	82127	Version	82127
Re-examined	date	05/09/08	
Inspected by	date		
Validated by	date		
WIRING DIAGRAM		Diswashers	
Total Digt	3	N° Digt	1
		Next Digt	-2
		n° file	82128
		mod	--



DESCRIZIONE

SOSTITUISCE

DATA

Code Machine	Denominazione		Codice	
re-examined	date/date	WIRING DIAGRAM	n°/file	
05/09/08	05/09/08			
inspected by	added/date	Dishwashers	mod	
validated by	date/date	total Blot	N° Blot	Next Blot
		4	4	---
		821281		---