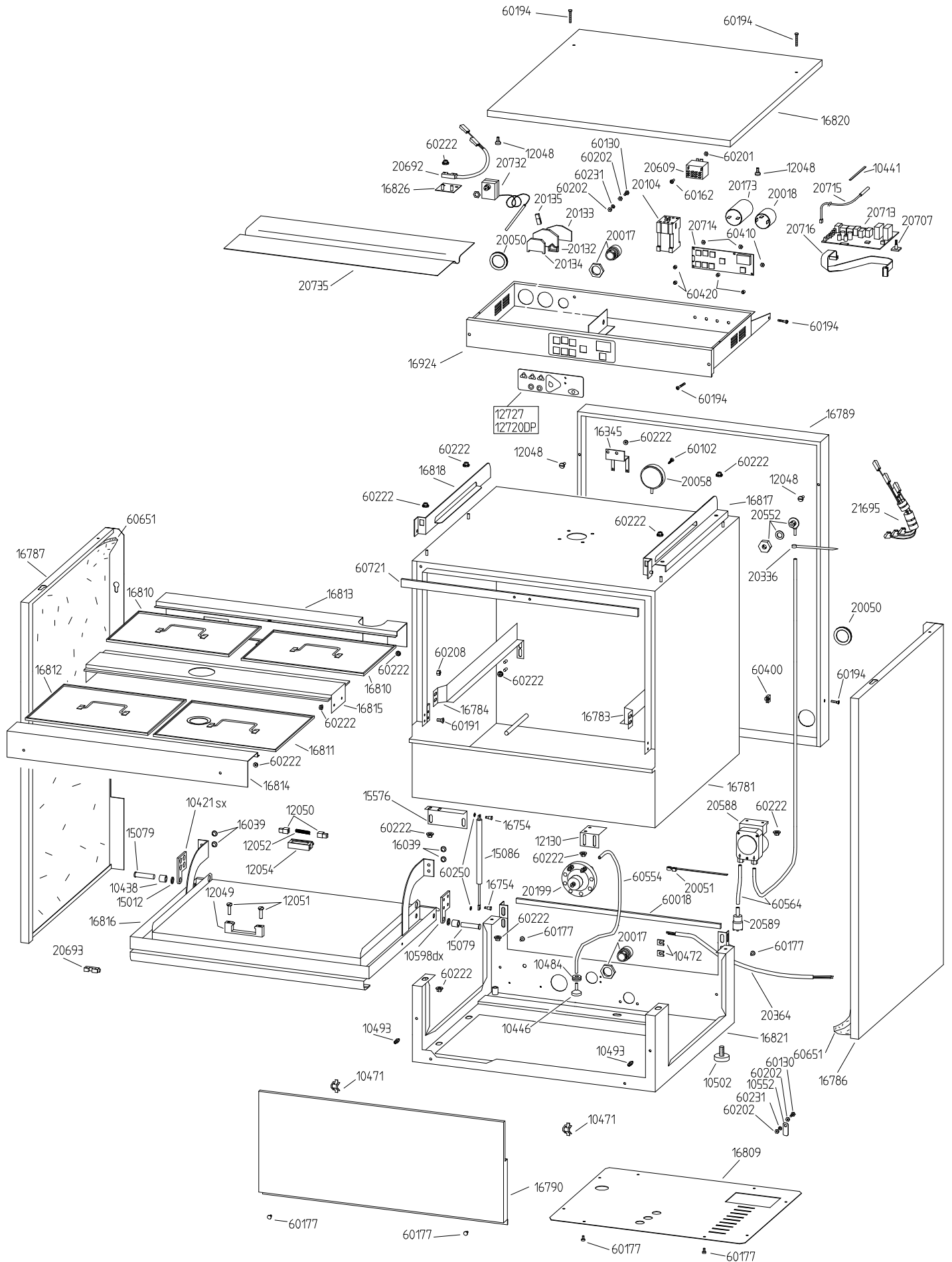


TAV. 509 MOD. AT 60



TAV. 510 MOD. AT 60

